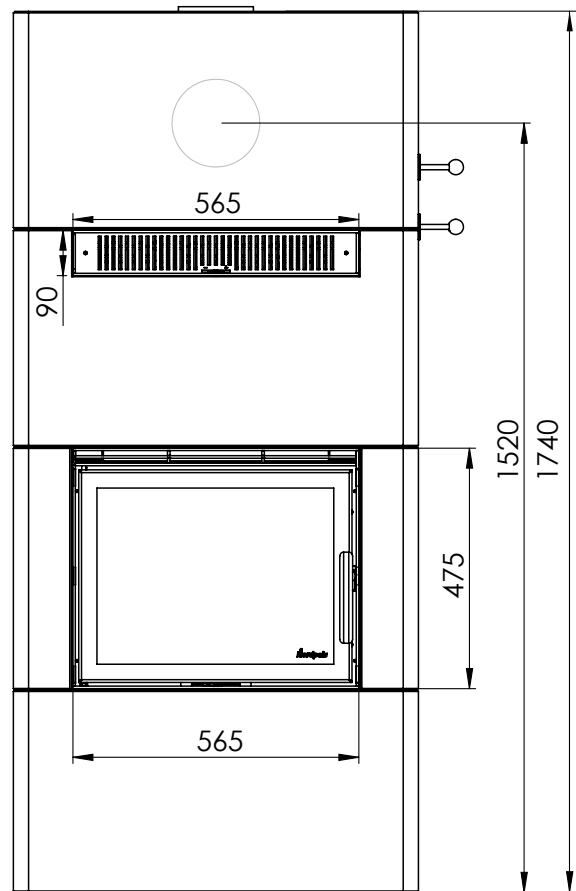
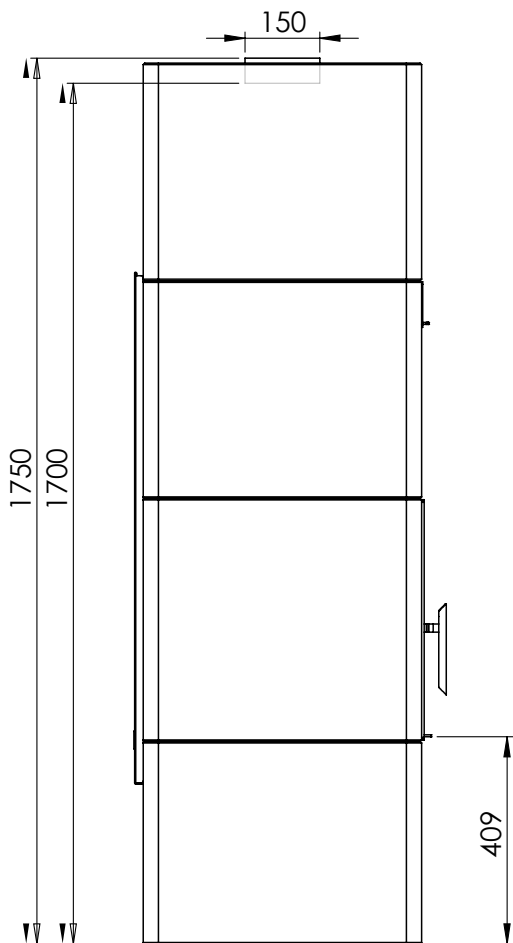
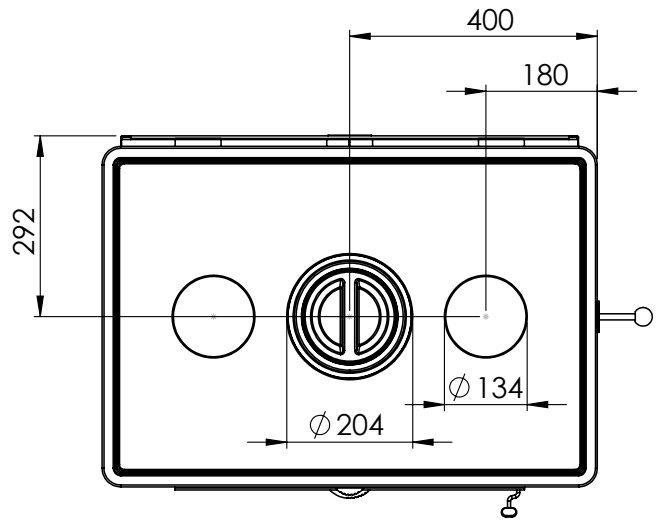
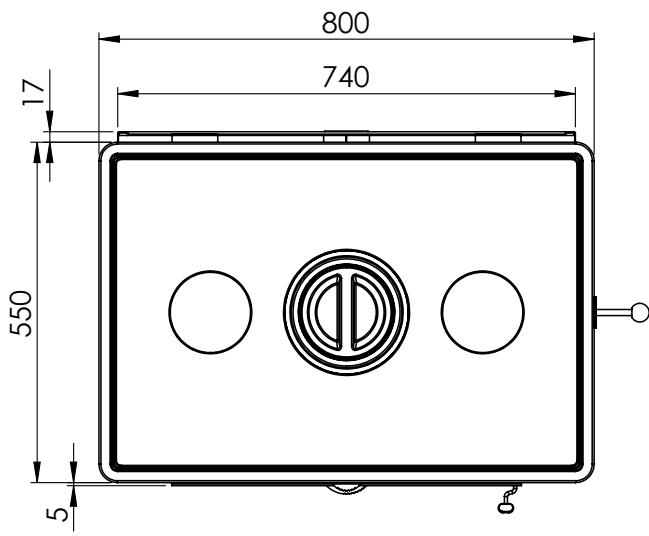


FIG

Salzburg L =mm



Salzburg L AIR =mm

